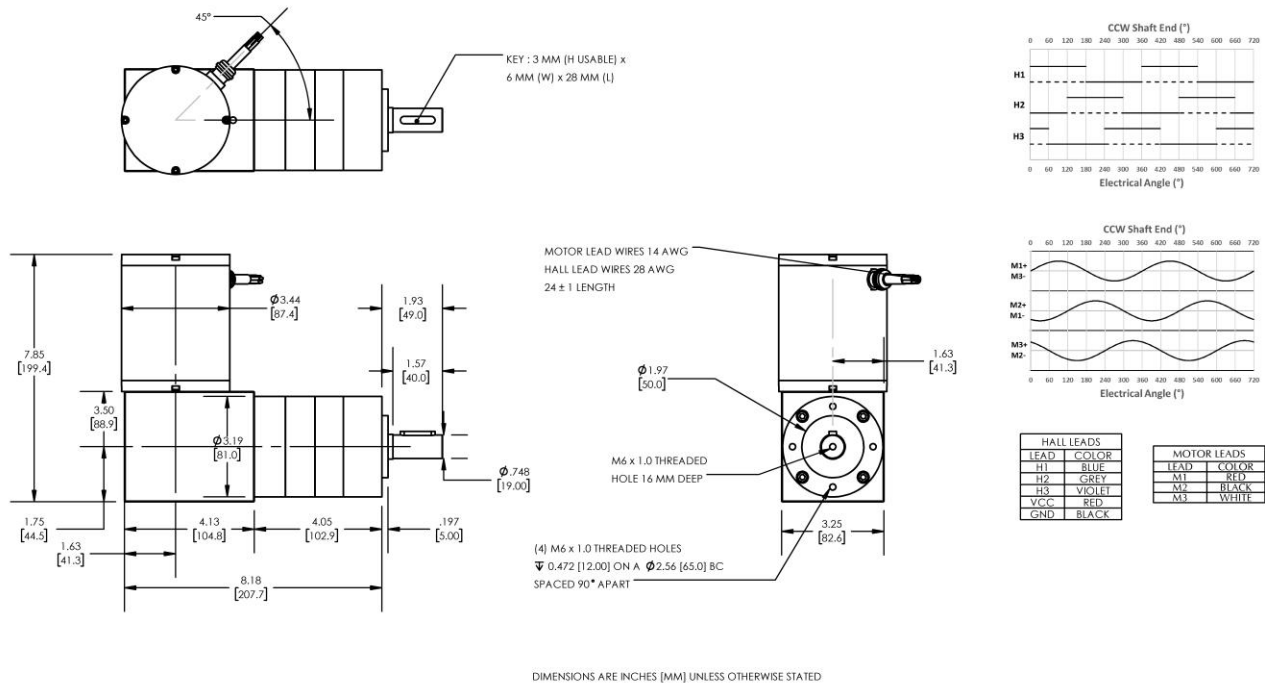




REVERSIBLE BRUSHLESS DC RIGHT-ANGLED GEARMOTOR

Model Number:

MMP BL87-435H-120V GRA81-115



PLANETARY GEARMOTOR OUTPUT PARAMETERS:	VALUE	UNITS	TOLERANCE
Gearhead Ratio (exact)	115.07 : 1		
Gearhead Shaft Output Speed (at full-load)	30	RPM	MAX
Gearmotor Rated Continuous Torque	1037	In-Lbs	MAX
Gearmotor Rated Peak Torque	2124++	In-Lbs	----
Gearhead Standard Backlash	36	Arc Minutes	MAX
Gearhead Efficiency	70%	----	----
Output Shaft Radial Load Capacity	225	Lbs	MAX
Output Shaft Axial Load Capacity	45	Lbs	MAX
Gearmotor Total Weight	17	Lbs	MAX

++ All Peak Torque values are dependent upon duty. Contact our sales office for details.

DC MOTOR PERFORMANCE PARAMETERS:	VALUE	UNITS	TOLERANCE
Rated DC Voltage	120	DC VOLTS	----
Rated Continuous Current	6.0	AMPERES	----
No-Load Speed	4396	RPM	MAX
Rated Speed	3500	RPM	+/- 15%
Rated Continuous Power Out	532	WATTS	+/- 15%
Rated Continuous Torque	206	OZ-IN	----
Peak Torque (motor only)	723	OZ-IN	----
No-Load Current	0.41	AMPERES	MAX
Back EMF Constant (Ke)	27.3	V/KRPM	+/- 10%
Torque Constant (Kt)	36.9	OZ-IN/AMP	+/- 10%
DC Armature Resistance	4.09	OHMS	+/- 15%
Armature Inductance	2.80	mH	+/- 15%
Armature temperature	155	DEG. C	MAX

NOTES:

- ENCODER & BRAKE OPTIONS AVAILABLE – [FOLLOW THIS LINK FOR DETAILS](#)
- NEMA MOUNTING FLANGE OPTION AVAILABLE – [FOLLOW THIS LINK FOR DETAILS](#)

MIDWEST MOTION PRODUCTS, INC

DESIGN, MANUFACTURING & DISTRIBUTION - MOTION CONTROL EQUIPMENT

www.midwestmotion.com

email: sales@midwestmotion.com